

BONALDO

Neuilly

Designer: **Fabrice Berrux**

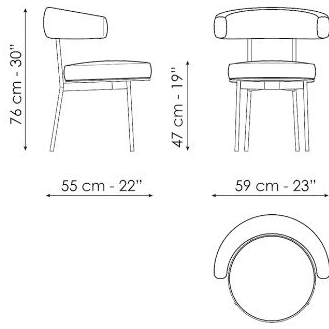


Designed by Fabrice Berrux, the Neuilly chair comes to life thanks to the combination of different and clearly outlined elements such as the thin metal tubular structure on the one side and the upholstered elements on the other. The padded seat plays with the curvilinear shape of the welcoming backrest/armrest, which embraces the body with a single

ergonomic movement thereby guaranteeing a natural posture for the back and offering unencumbered support for the arms. The resulting product is a modern and comfortable living room chair characterized by a versatile style and a lightweight image. The catalogue also features the matching Neuilly too stool.



Data sheet



Neilly

Width: 55cm

Depth: 59cm

Height: 76cm

Finishes

LEGS

Metal



Painted metal
Mat white



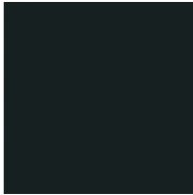
Painted metal
Mat anthracite grey



Painted metal
Mat dove grey



Painted metal
Mat brown



Painted metal
Mat black

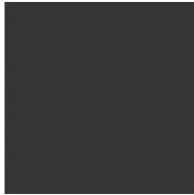


Metal
Supreme anthracite

Plus Metal



Painted metal
Mat bronze



Painted metal
Mat lead



Painted metal
Mat pearl gold

Special Metal



Metal finish
Burnished



Metal finish
Mat brass



Metal finish
Mat copper

You can find the complete collection of Bonaldo fabrics and leathers on the website <https://www.bonaldo.biz/>

